

ANOR

HERRAJES INOXIDABLE



316

HERRAJES INOXIDABLE AISI-316

ÍNDICE

PINZAS PARA VIDRIO

1



BASES

3



TAPONES

5



SOPORTES

7



CODOS

13



TIRADORES

15



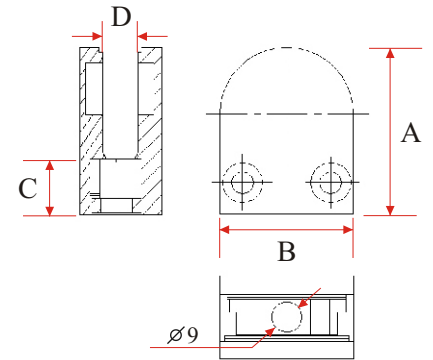
TENSORES Y CABLES

16

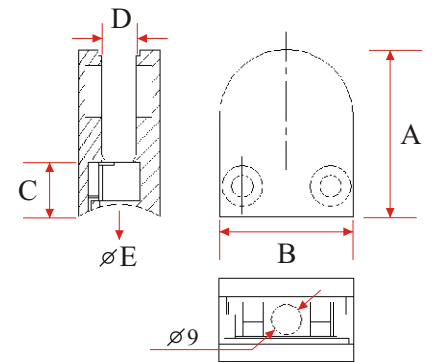




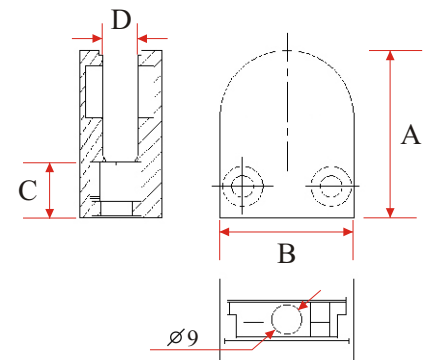
REF.	A	B	C	D
PZ901	50	40	16	8-10



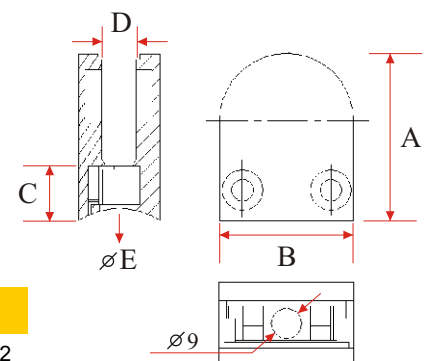
REF.	E	A	B	C	D
PZ902	43	50	40	16	8-10
PZ903	50.8	50	40	16	8-10



REF.	A	B	C	D
PZ904	63	45	15.5	10-12

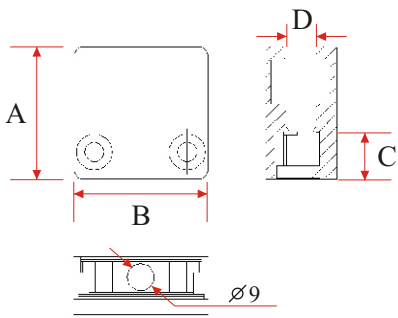


REF.	E	A	B	C	D
PZ905	43	63	45	15.5	10-12

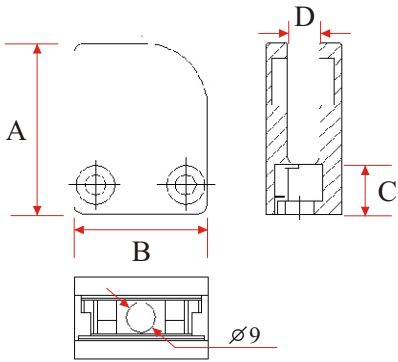


AISI-316

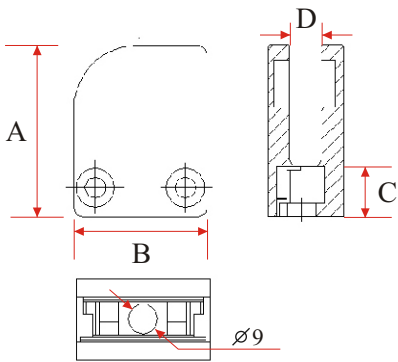
316



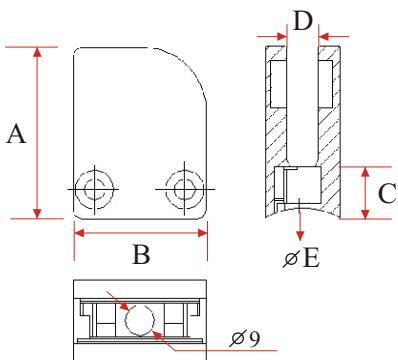
REF.	A	B	C	D
PZ906	45	45	16	8-10



REF.	A	B	C	D
PZ907	54	42	16	8-10



REF.	A	B	C	D
PZ907D	54	42	16	8-10

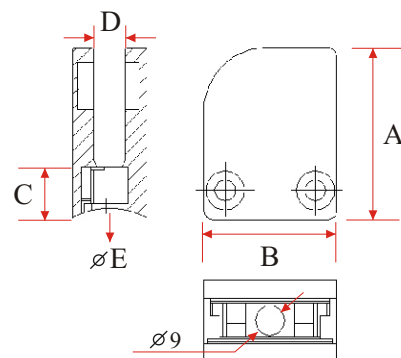


REF.	E	A	B	C	D
PZ908	43	54	42	16	8-10
PZ909	50.8	54	42	16	8-10

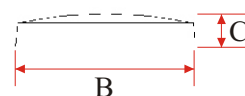
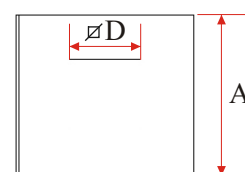




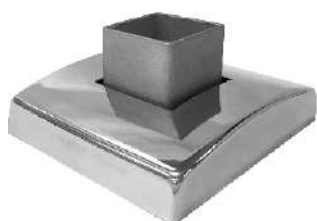
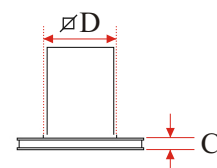
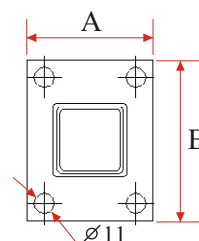
REF.	E	A	B	C	D
PZ908D	43	54	42	16	8-10
PZ909D	50.8	54	42	16	8-10



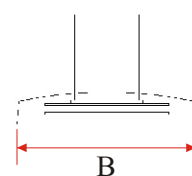
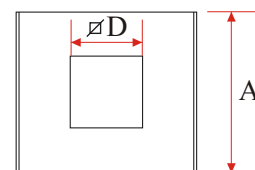
REF.	A	B	C	D
BS901A	90	100	18	40x40



REF.	A	B	C	D
BS901B	69	88	6	40x40

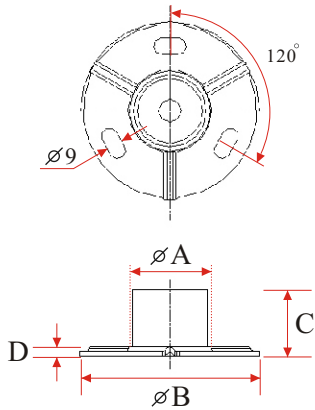


REF.	A	B	D
BS902	90	100	40x40

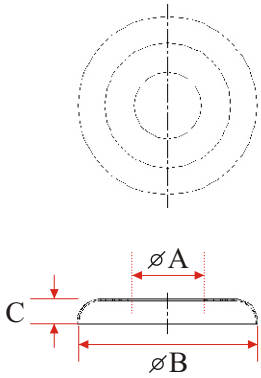


AISI-316

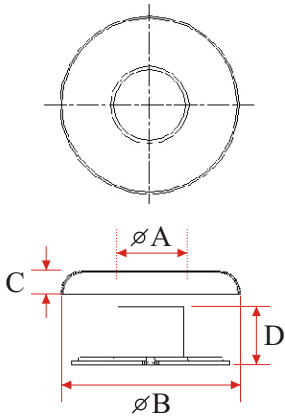
316



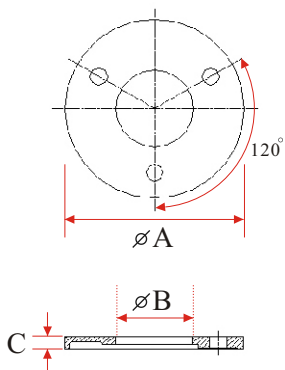
REF.	A	B	C	D
BS903	43	95	35	5
BS904	50.8	95	35	5



REF.	A	B	C
BS909	43	107.8	14.6
BS910	50.8	107.8	15



REF.	A	B	C	D
BS905	43	107.8	14.6	35
BS906	50.8	107.8	15	35

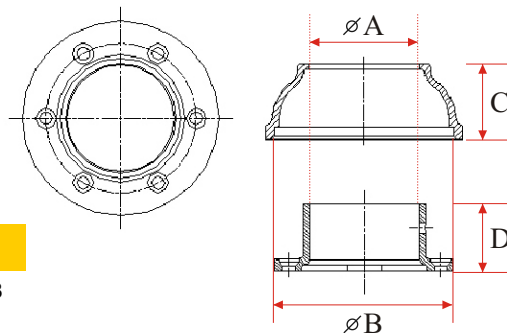


REF.	A	B	C
BS907	100	43	7.1
BS908	100	50.8	7.1

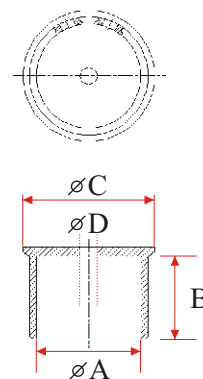




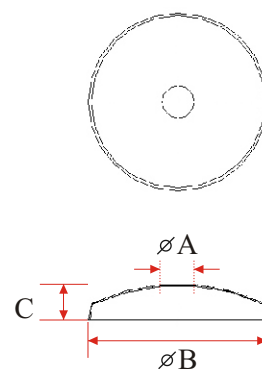
REF.	A	B	C	D
BS911	43	70	27.5	26.8
BS912	50.8	78.5	29	27



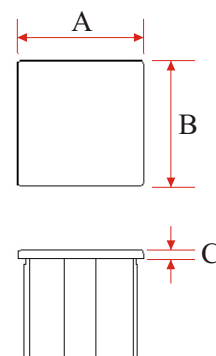
REF.	A	B	C	D
BS914	43	34	54.1	7
BS915	50.8	34	61.9	7



REF.	A	B	C
BS913	12	65	6

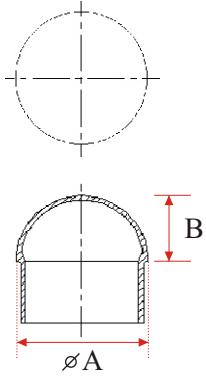


REF.	A	B	C
TA901	40	40	3

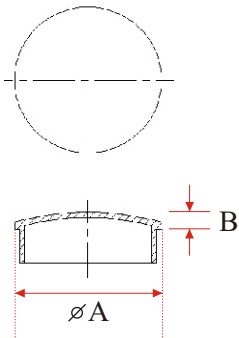


AISI-316

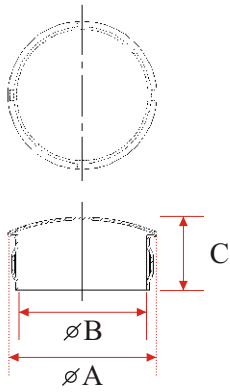
316



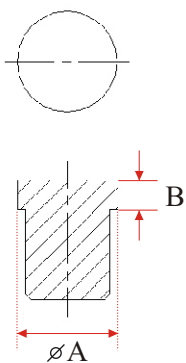
REF.	A	B
TA902	43	21.5
TA903	50.8	25.4



REF.	A	B
TA904	43	5
TA905	50.8	6.5



REF.	A	B	C
TA904W	43	37.1	21.5
TA905W	50.8	45.8	23

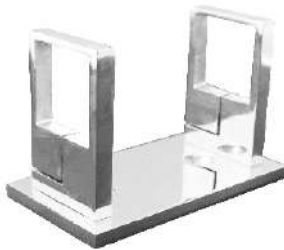
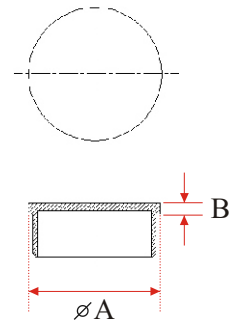


REF.	A	B
TA906	12	3.6

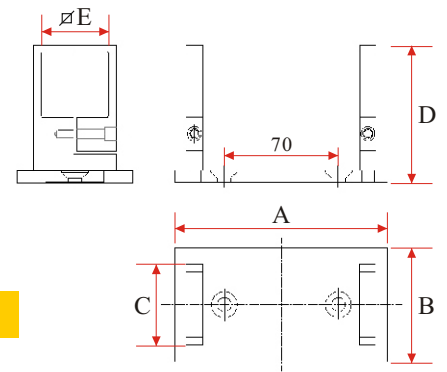




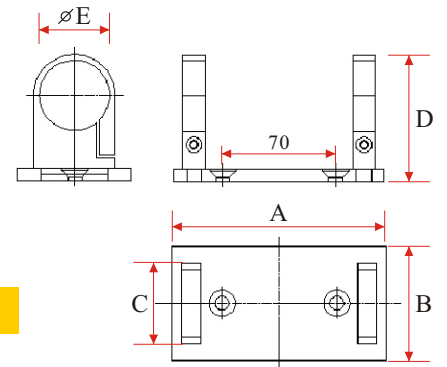
REF.	A	B
TA907	43	3.6
TA908	50.8	3.3



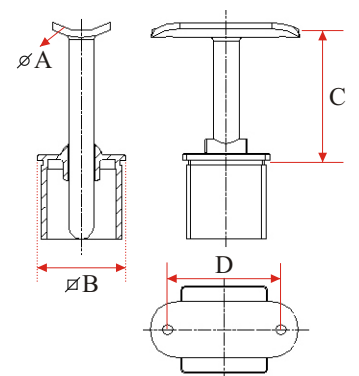
REF.	A	B	C	D	E
SP901	130	70	50	84.5	40



REF.	A	B	C	D	E
SP902	130	70	50	77.3	43

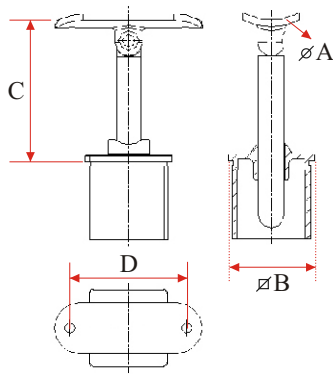


REF.	A	B	C	D
SP903	43	40x40	30-90	52
SP904	50.8	40x40	30-90	60

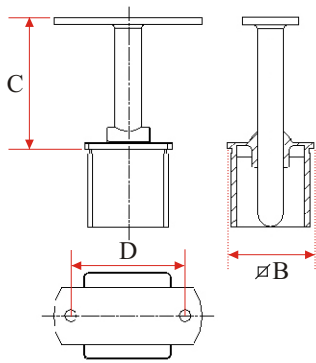


AISI-316

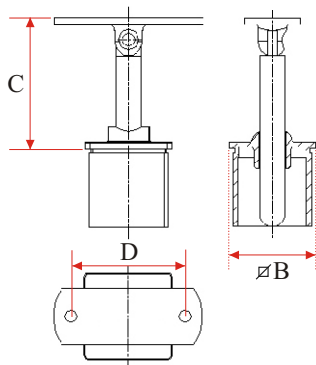
316



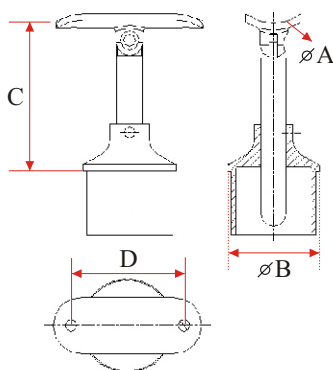
REF.	A	B	C	D
SP905	43	40x40	30-90	52
SP906	50.8	40x40	30-90	60



REF.	B	C	D
SP907	40x40	30-90	52



REF.	B	C	D
SP908	40x40	30-90	52

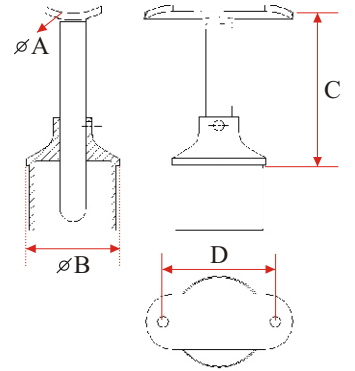


REF.	A	B	C	D
SP909	43	43	30-90	52
SP910	50.8	50.8	30-90	60

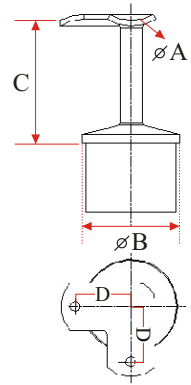




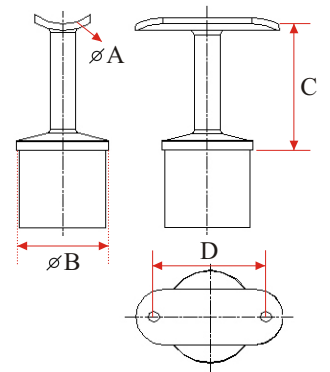
REF.	A	B	C	D
SP911	43	43	30-90	52
SP912	50.8	50.8	30-90	60



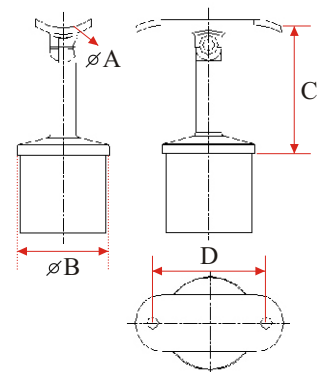
REF.	A	B	C	D
SP913	43	43	60	26
SP914	50.8	50.8	65	30



REF.	A	B	C	D
SP915	43	43	60	52
SP916	50.8	50.8	65	60

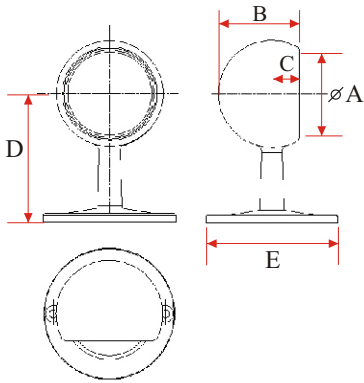


REF.	A	B	C	D
SP917	43	43	60	52
SP918	50.8	50.8	65	60

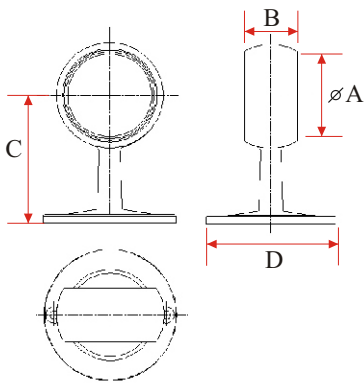


AISI-316

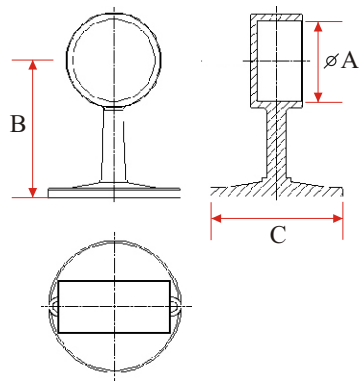
316



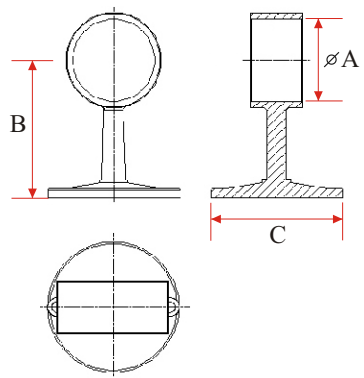
REF.	A	B	C	D	E
SP930	43	41.5	13.5	68	73
SP931	50.8	49	16.5	78	80



REF.	A	B	C	D
SP932	43	27	68	73
SP933	50.8	33	78	80

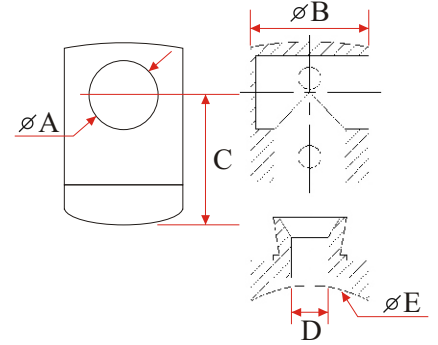


REF.	A	B	C
SP936	43	72	69
SP937	50.8	83	80

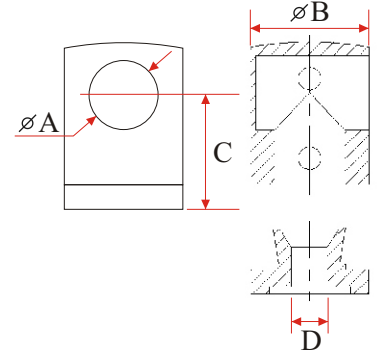


REF.	A	B	C
SP934	43	72	69
SP935	50.8	83	80

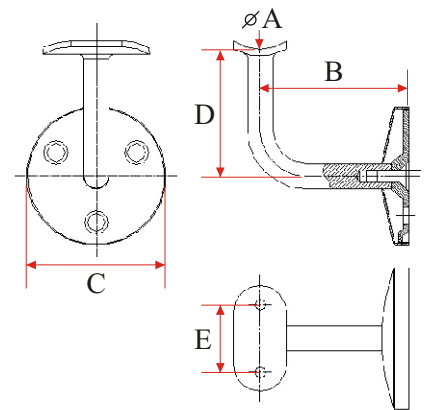




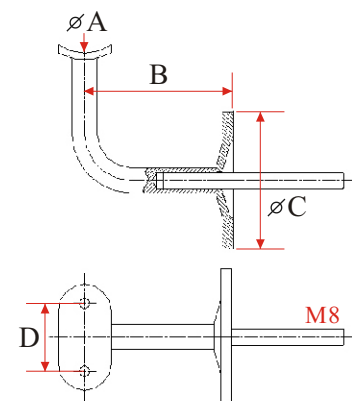
REF.	A	B	C	D	E
SP919	12	21	20	6.5	43



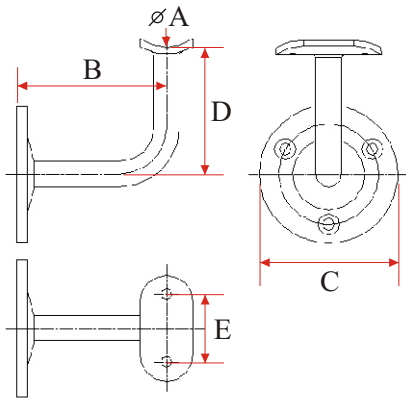
REF.	A	B	C	D
SP920	12	21	20	6.5



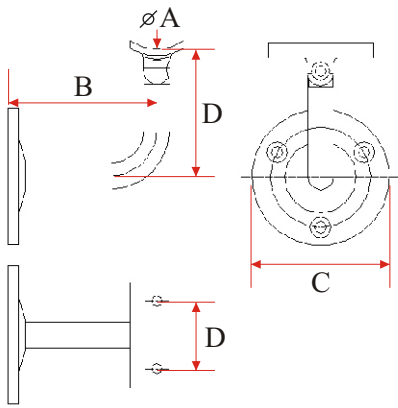
REF.	A	B	C	D	E
SP921	43	70	65	60	32
SP922	50.8	70	65	60	32



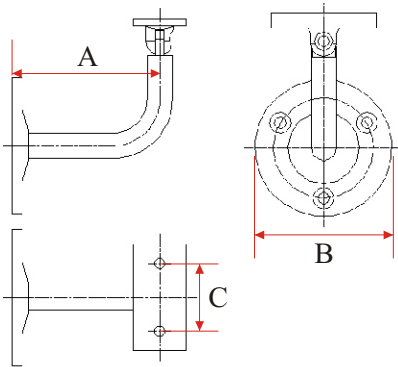
REF.	A	B	C	D	M
SP923	43	70	64.5	32	8
SP924	50.8	70	64.5	32	8



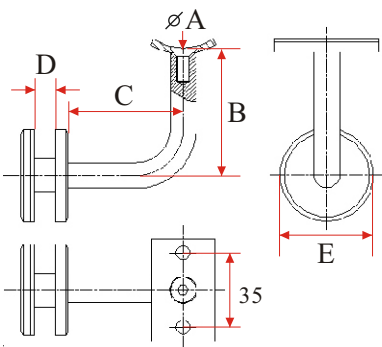
REF.	A	B	C	D	E
SP925	43	70	64.5	60	32
SP926	50.8	70	64.5	60	32



REF.	A	B	C	D
SP927	43	70	64.5	32
SP928	50.8	70	64.5	32

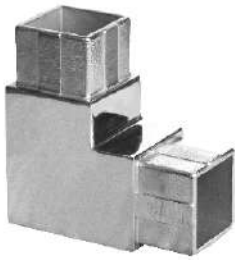


REF.	A	B	C
SP929	70	64.5	32

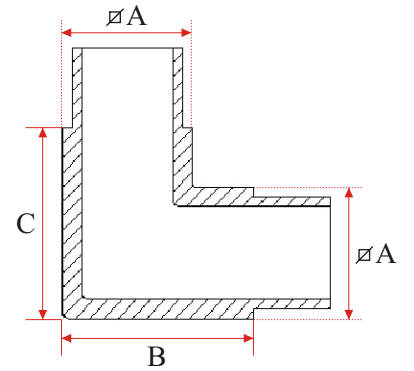


REF.	A	B	C	D	E
SP938	43	60	54	10-12	43
SP939	50.8	60	54	10-12	43

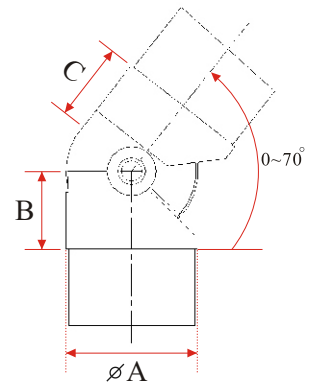




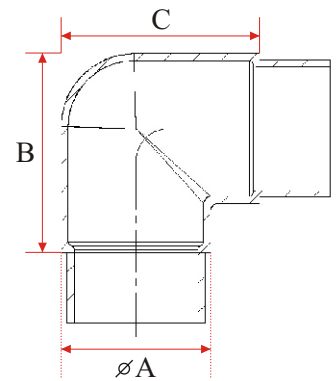
REF.	A	B	C
CD901	40x40	60	60



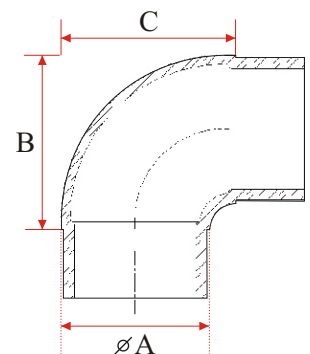
REF.	A	B	C
CD902	43	26	26
CD903	50.8	30	30



REF.	A	B	C
CD904	43	57	57
CD905	50.8	60	60

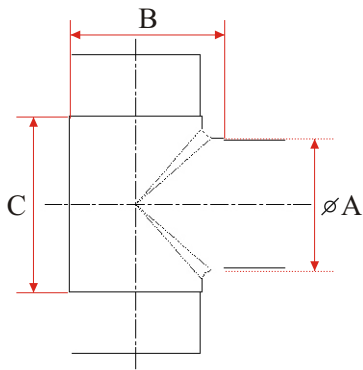


REF.	A	B	C
CD906	43	55	55
CD907	50.8	60	60

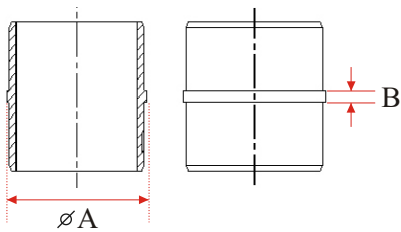


AISI-316

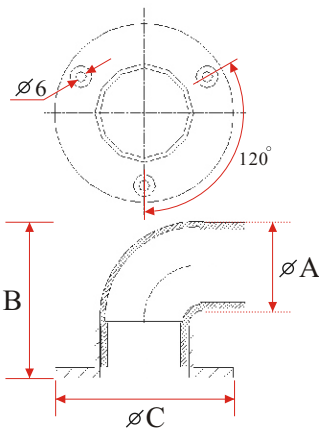
316



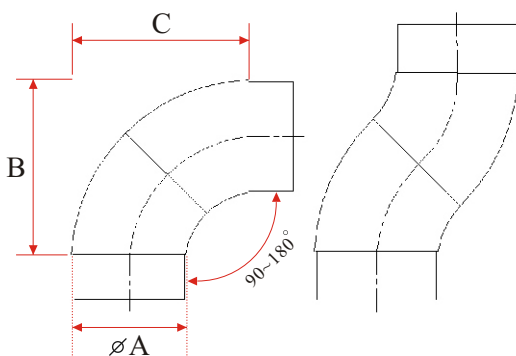
REF.	A	B	C
CD908	43	50	57
CD909	50.8	60	69



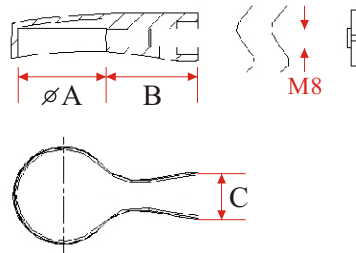
REF.	A	B
CD910	43	4
CD911	50.8	4



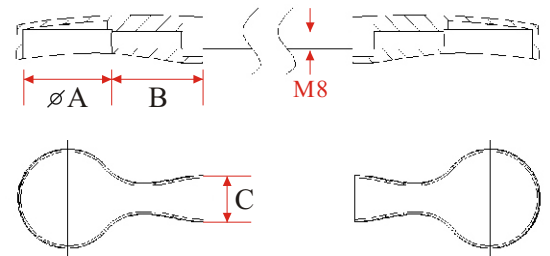
REF.	A	B	C
CD912	43	80	80
CD913	50.8	90	102



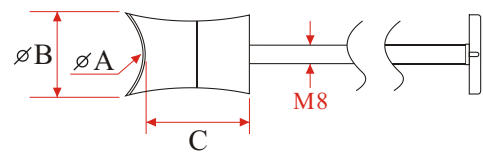
REF.	A	B	C
CD914	43	65	65
CD915	50.8	75	75



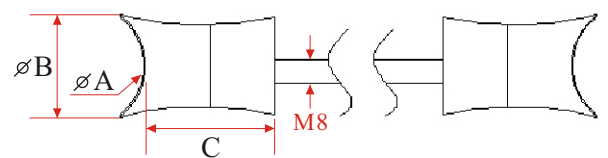
REF.	A	B	C
TR901	40	41	21



REF.	A	B	C
TR902	40	41	21



REF.	A	B	C
TR903	40	35.4	44

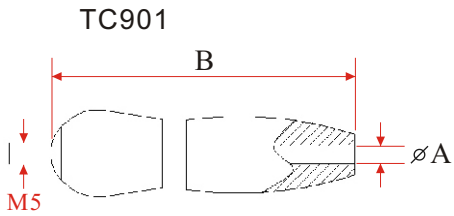


REF.	A	B	C
TR904	40	35.4	44

AISI-316

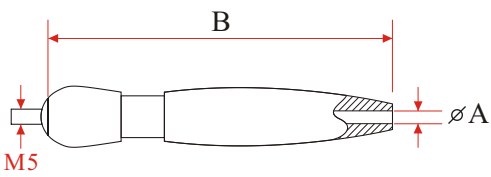
316

ACERO INOX



REF.	A	B
TC901	4-5 mm	71

TC902



REF.	A	B
TC902	4-5 mm	112



REF.	Ø	L / M
TC903	5 mm	25
TC904	5 mm	50
TC905	5 mm	100